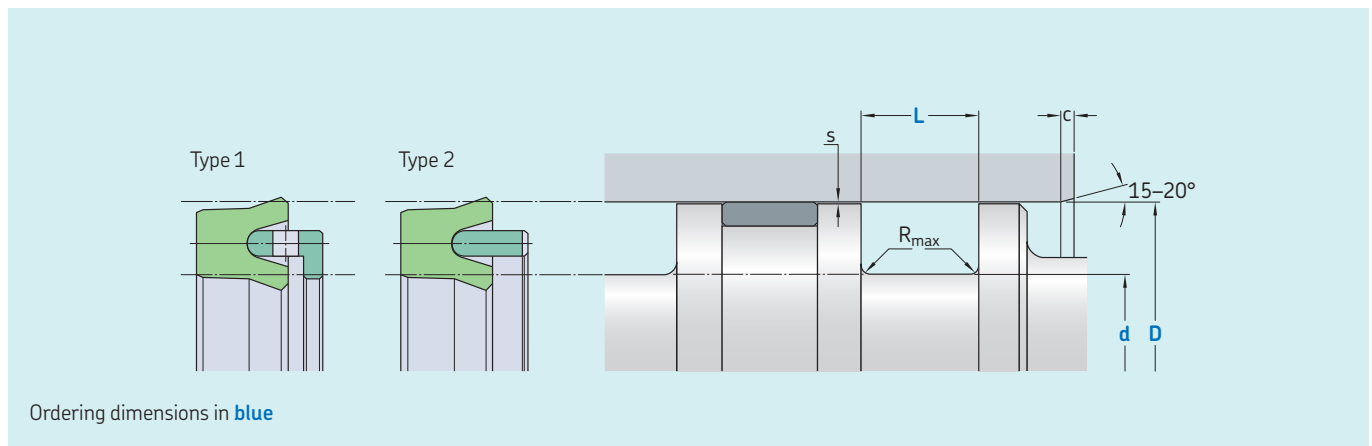


K22-R



Ordering dimensions in **blue**

Surface roughness	R_{tmax}	R_a
	μm	
Sliding surface	$\leq 2,5$	$0,05-0,2$
Bottom of groove	$\leq 6,3$	$\leq 1,6$
Groove face	≤ 15	≤ 3

Bearing area: 50-95% and a cutting depth of $0,5 R_z$ based on $C_{ref} = 0\%$

Standard dimensions						Maximal radial extrusion gap		
D	d	L	R_{max}	c	s^*	20 bar	100 bar	160 bar
H9	h10	+ 0,2						
over	incl.							
mm						mm		
14	25	D - 8	6	0,4	3,5	0,23	0,16	0,14
25	50	D - 10	7	0,4	4,0	0,26	0,19	0,17
50	75	D - 12	8	0,4	4,5	0,29	0,22	0,20
75	150	D - 15	10	0,4	5,0	0,31	0,24	0,22
150	300	D - 20	12	0,4	6,0	0,34	0,27	0,25
300	500	D - 25	18	0,4	8,5	0,37	0,30	0,29
500	600	D - 30	20	0,4	10,0	0,40	0,34	0,32

* Extrusion gap values shown above are valid for a temperature of 70 °C, higher temperatures require lower values.
Standard: Type 2

Ordering example

Profile
 D x d x L [mm]
 Sealing material / Support ring

Piston seal K22-R Type 1
100 x 85 x 10
 SKF Ecorubber-1 / SKF Ecotal

Operating parameters

Material Seal	Support ring ³⁾	Temperature		Speed ¹⁾	Pressure ²⁾
		from	to	max	max
		°C		m/s	bar (MPa)
■ SKF Ecorubber-1	■ SKF Ecotal	-30	+100	0,5	160 (16)
■ SKF Ecorubber-1	■ SKF Ecomid	-30	+100	0,5	160 (16)
■ SKF Ecorubber-H	■ SKF Ecoflon 2	-25	+150	0,5	160 (16)
■ SKF Ecorubber-H	■ SKF Ecotal	-25	+100	0,5	160 (16)
■ SKF Ecorubber-H	■ SKF Ecomid	-25	+100	0,5	160 (16)
■ SKF Ecorubber-2	■ SKF Ecoflon 2	-20	+200	0,5	160 (16)
■ SKF Ecorubber-3	■ SKF Ecoflon 2	-50	+150	0,5	160 (16)
■ SKF Ecorubber-3	■ SKF Ecotal	-40	+100	0,5	160 (16)
■ SKF Ecorubber-3	■ SKF Ecomid	-40	+100	0,5	160 (16)
■ SKF Ecoflas	■ SKF Ecoflon 2	-10	+200	0,5	160 (16)

IMPORTANT NOTE: The stated operating conditions represent general indications. It is recommended not to use all maximum values simultaneously.

1) Surface speed limit values are valid only in the presence of a lubrication film.

2) Pressure ratings depend on the size of the extrusion gap.

3) Size limitation D: Up to 260 mm SKF Ecotal, from 260 – 400 mm SKF Ecotal or SKF Ecomid and above 400 mm SKF Ecomid.